

Shape	F Shape	T Shape	R Shape	L Shape	K Shape	Y Shape	
Sensing distance	5mm (Slot width)						
Standard sensing object	Opaque objects (Size: 1.2*1.8mm)						
Repeat accuracy	< 0.03mm						
Output type	NPN or PNP open-collector						
Switch type	Selectable L.on/D.on						
Indicator	Red LED						
Response frequency	3KHz						
Response time	≤0.3ms						
Light source	Infrared LED (940nm)						
Operating voltage	5~24V DC						
Voltage drop	< 1.5V (load current 100mA, 2m cable length)						
Current consumption	< 20mA						
Protective circuit	Surge protection, Reverse polarity protection						
Ambient temperature	Operation: -25°C~+55°C, Storage: -30°C~+80°C, no freezing						
Ambient humidity	Operation: 5%~85%, Storage: 5%~95%, no condensation						
Ambient brightness	Incandescent lamp ≤1000Lux						
Withstand voltage	AC, 1000V 1 minute between all supply terminals connected to the housing						
Vibration resistance	10 to 55 Hz with 1.5mm amplitude for 2 hours each in X, Y, and Z directions						
Insulation resistance	Between all supply terminals connected with the housing, 20MΩ or more (based DC250V)						
Degree of protection	IP50						
Material	PC						
Connection method	2M 4core cable						
NPN	Light on when objects are detected	SF-302N-W	ST-303N-W (HOT)	SR-304N-W	SL-305N-W (HOT)	SK-306N-W	SY-307N-W (HOT)
	Light off when objects are detected	SF-302NA-W	ST-303NA-W (HOT)	SR-304NA-W	SL-305NA-W (HOT)	SK-306NA-W	SY-307NA-W (HOT)
PNP	Light on when objects are detected	SF-302P-W	ST-303P-W	SR-304P-W	SL-305P-W	SK-306P-W	SY-307P-W
	Light off when objects are detected	SF-302PA-W	ST-303PA-W	SR-304PA-W	SL-305PA-W	SK-306PA-W	SY-307PA-W

Remarks: SL-305NA/PA-W, suggest to install with small-head or non-standard M3(diameter less than 5.2mm) screws; SK-306NA/PA-W, suggest to install with universal M3.5 screws; for other models, please take regular M3 screws for mounting

- Fiber Optic
- Slot Sensors**
- Photoelectric
- Laser
- Proximity
- Displacement
- Magnetic
- Contact
- Area
- Ultrasonic
- Vision
- Code Readers
- Vibration
- Temperature
- Accessories

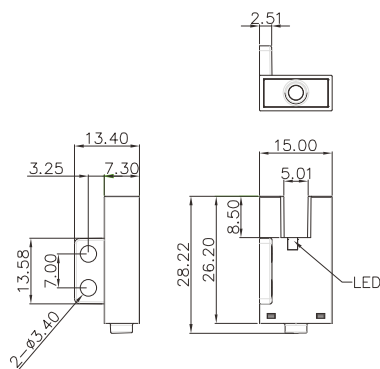
Guidance

- Slot type sensors
- Micro slot type
- Slot type**
- Wide slot type
- Label detection

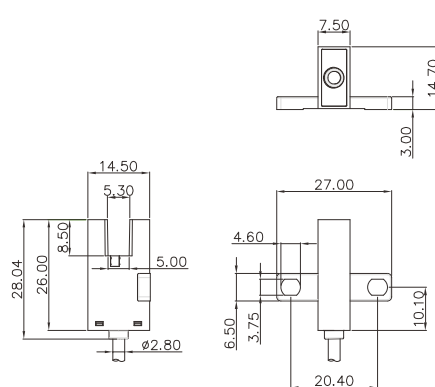
Dimensions

Unit: mm

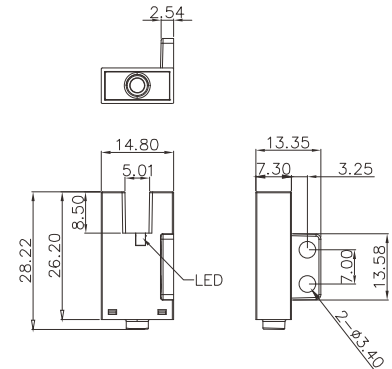
F Shape



T Shape



R Shape

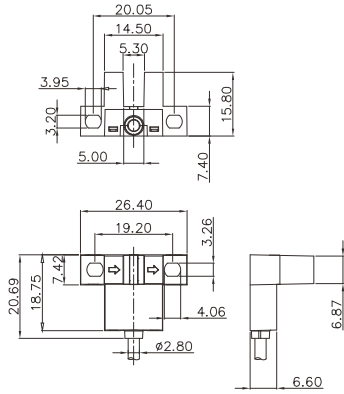


Slot Type

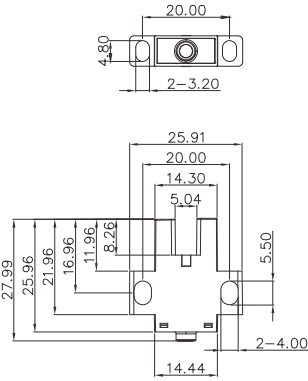
Dimensions

Unit: mm

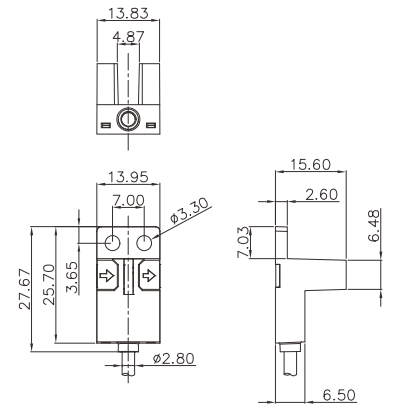
L Shape



K Shape

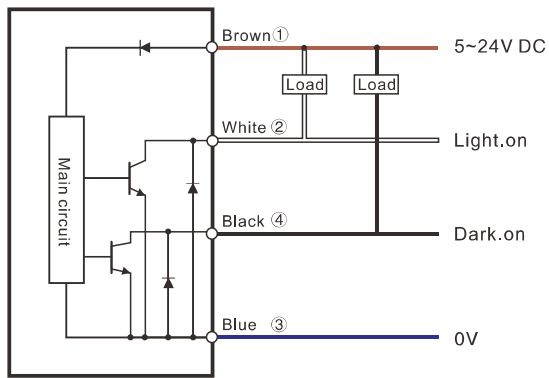


Y Shape

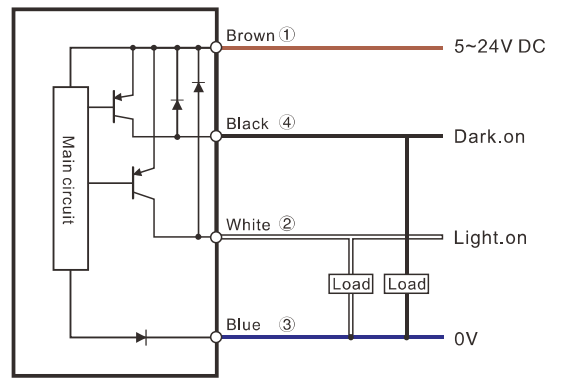


Circuit diagram

NPN



PNP



- Fiber Optic
- Slot Sensors
- Photoelectric
- Laser
- Proximity
- Displacement
- Magnetic
- Contact
- Area
- Ultrasonic
- Vision
- Code Readers
- Vibration
- Temperature
- Accessories
- Guidance
- Slot type sensors
- Micro slot type
- Slot type
- Wide slot type
- Label detection